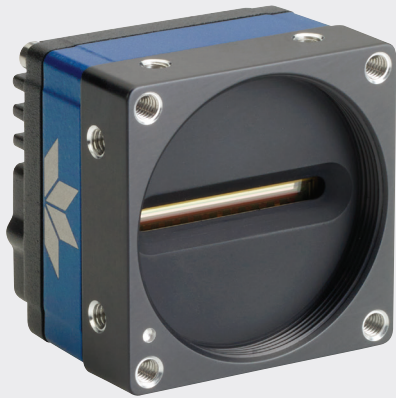


LINEA™ LITE

Bilinear Color Line Scan Cameras



KEY FEATURES

- Bilinear color
- Multiple regions of interest for calibration and data reduction
- 4 programmable coefficient sets
- Programmable I/Os
- Compact form factor
- Precision Time Protocol
- GigE Vision, PoE

TYPICAL APPLICATIONS

- Automated optical inspection
- Optical sorting
- Food packaging
- Film and textile
- Wood inspection
- Print inspection
- Web inspection
- General machine vision

Linea Lite Color GigE Cameras

Compact and remarkably cost effective, Linea Lite makes line scan more accessible than ever. Designed with performance in mind, this camera offers superior color fidelity at 2k or 4k resolution with a GigE Vision® interface.

SPECIFICATIONS

Part Number	L2-GC-02k02B	L2-GC-04k01B
Resolution	2048 x 2 pixels	4096 x 2 pixels
Max Line Rate (kHz)	25* 64 (burst)	12.5* 32 (burst)
Pixel Size (µm)	14 x 14	7 x 7
Data Format (bit)	8 or 12	
Dynamic Range (dB)	72	
Full Well (ke-)	30	
Read Noise (e-)	8.5	
Power Dissipation (W)	<5	
Operating Temp (°C)	0 to +65	
Dimensions (mm)	46 (W) x 46 (H) x 37 (D)	
Weight (g)	150	
Lens Mount	M42	
Data Interface	GigE Vision	
Power and GPIO	+12 to +24VDC, HD15 (RJ-45 in PoE)	

* Without TurboDrive. With TurboDrive, maximum line rate could be 2~3x higher depending on image contents

SPECIFICATIONS

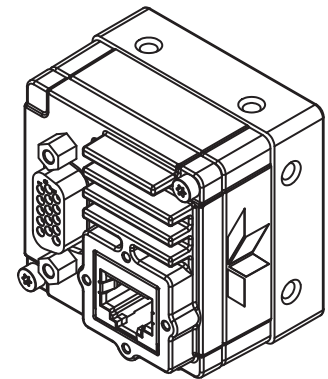
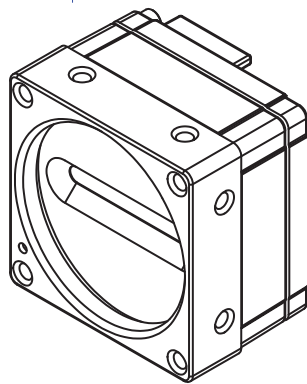
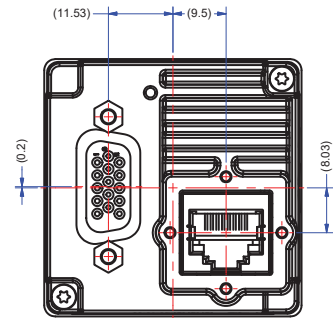
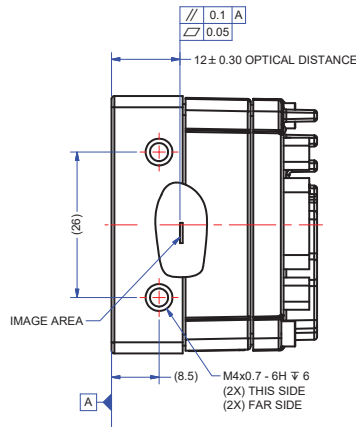
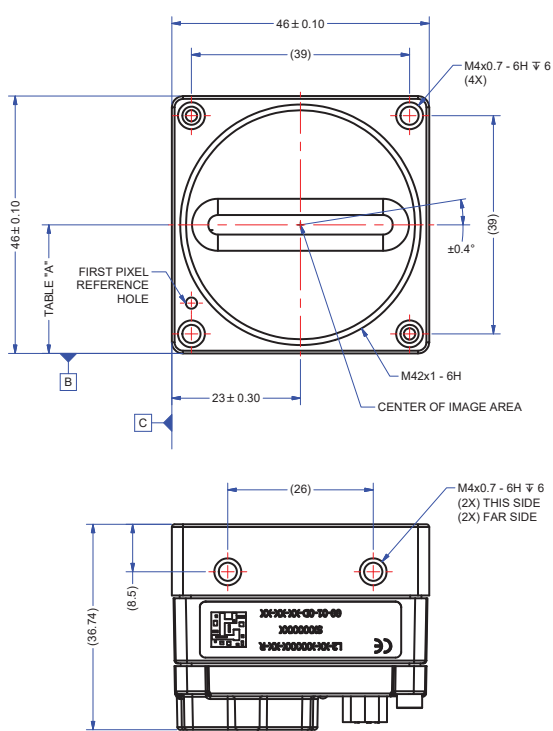
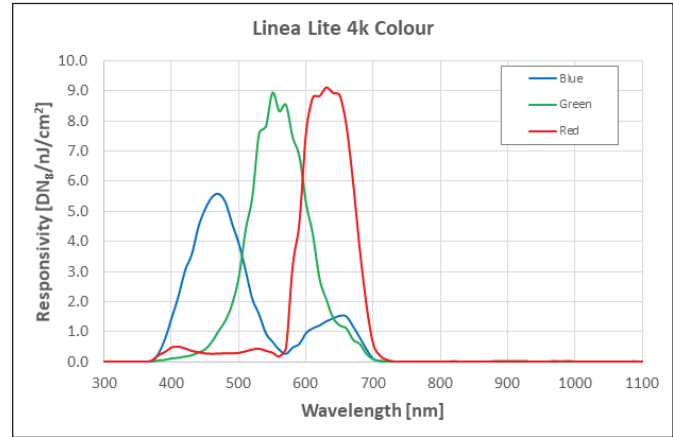
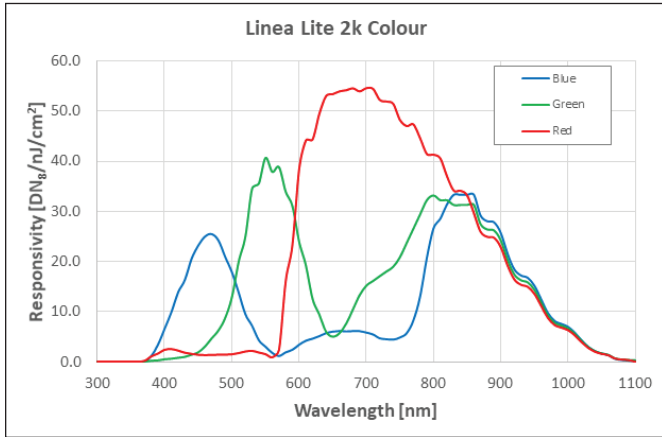


TABLE A	
CAMERA P/N	DIMENSION
L2-XX-02KXXX-	23.2 ± 0.30
L2-XX-04KXXX-	23.0 ± 0.30

NOTES:
1. UNITS: MILLIMETERS.
2. IMAGE AREA IS ALIGNED TO DATUMS [A], [B] & [C].

FOR MORE INFORMATION CONTACT:

AMERICAS Boston, USA | +1 978-670-2000 | TDI_sales.americas@teledynedalsa.com
 EUROPE Krailling, Germany | +49 89-89-54-57-3-80 | TDI_sales.europe@teledynedalsa.com
 ASIA PACIFIC Tokyo, Japan | +81 3-5960-6353 | TDI_sales.asia@teledynedalsa.com
 Shanghai, China | +86 21-3368-0027 | TDI_sales.asia@teledynedalsa.com

This document does not contain information whose export/transfer/disclosure is restricted by the Canadian Export Control regulation. Teledyne DALSA has its corporate offices in Waterloo, Canada. Teledyne DALSA reserves the right to make changes at any time without notice. 2022 © Teledyne DALSA.

Revision Number: 03-070-25004-00
Revision Date: 2022 03 23